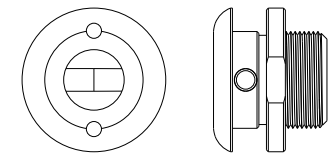
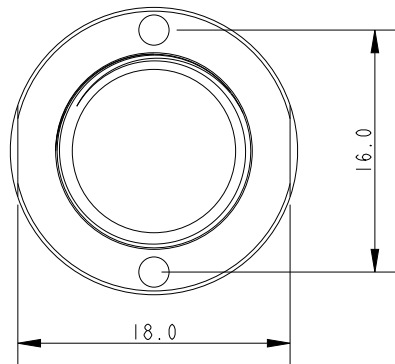
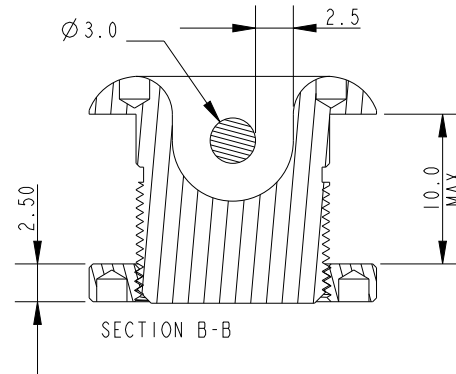
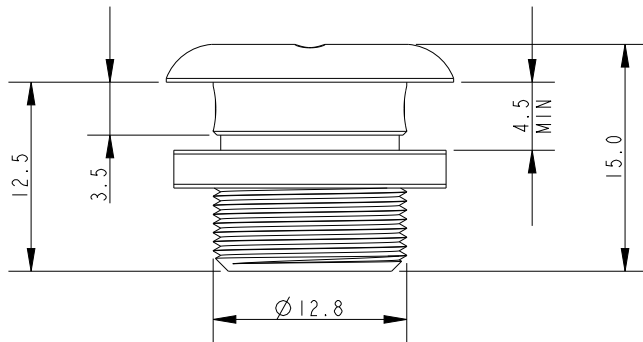


SCALE 2:1



SCALE 1:1

**DIMENSIONS FOR REFERENCE ONLY**  
**allenbrothers.co.uk**  
**+44(0)1621 772477**

Specification				
Length mm	Line Diameter mm	Breaking Load kg	MWL kg	Weight g
15	2.5	350	250	8

Title	Description
A881310-REF	Small Fixed Pin Pad Tii