



## KMD-210 NMEA Distribution Box

### Features :

- Power Supply isolated
- Eight RS422 outputs and Two RS232 outputs
- High speed baudrate up to 38400
- Input signal isolated
- Every channel output isolated
- Can be used as two independent NMEA distribution box

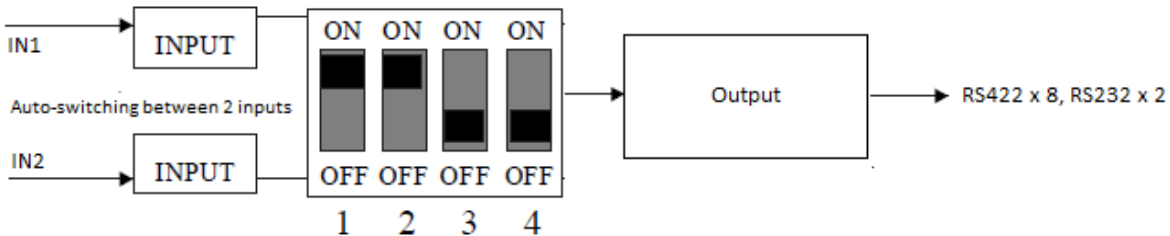
### Installation Guide

1) Power connection : 24VDC, Pin 29 +ve, Pin 30 -ve

2) Switch setting :

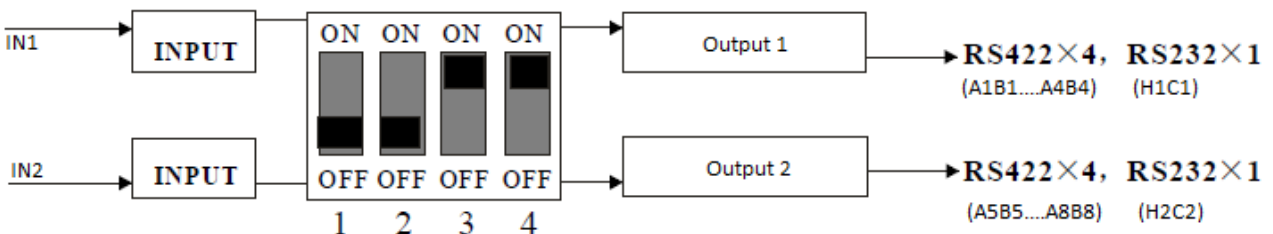
2.1 Setting 1 (default)

Auto switch between 2 input channels. IN1+ IN1- is the first input channel and IN2+ IN2- is second input channel. If there are no signal in 1<sup>st</sup> input it will auto switch to 2<sup>nd</sup> input automatically. There are total 10 outputs with this setting, RS422 x 8 and RS232 x 2



2.2 Setting 2 :

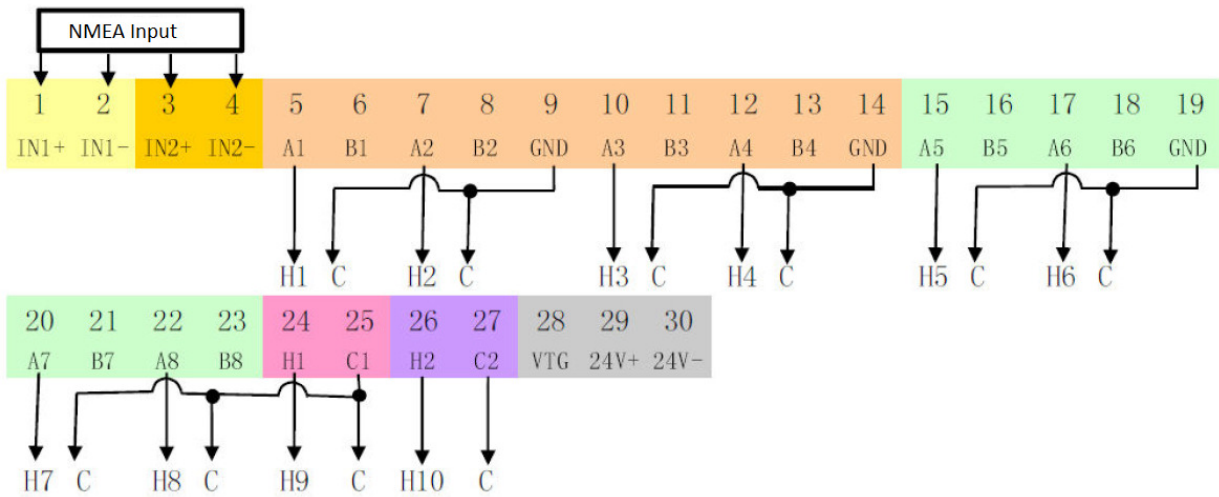
Use as two total independent distribution box, e.g. Input 1 connect to GPS (RMC) and Input 2 connect to Heading device (HDT) then 4 x RS422 (A1B1...A4B4) and 1 x RS232 (H1C1) will output RMC while 4 x RS422 (A5B5...A8B8) and 1 x RS232 (H2C2) will output HDT.



3) If there are a equipment onboard require closure pulse speed signal (200 pulse/knot) then you can connect pin 28 & Pin 27. It will convert the SOG data from GPS to pulse speed signal and output from pin 28 & 27.

4) RS232 connections for all outputs

You can use 10 outputs (RS422 x 8 and RS232 x 2) as RS232 connections (H1C....H10C). Please follow the connections as below :



Please contact Onwa Marine for any further questions : [technical@onwamarine.com](mailto:technical@onwamarine.com)